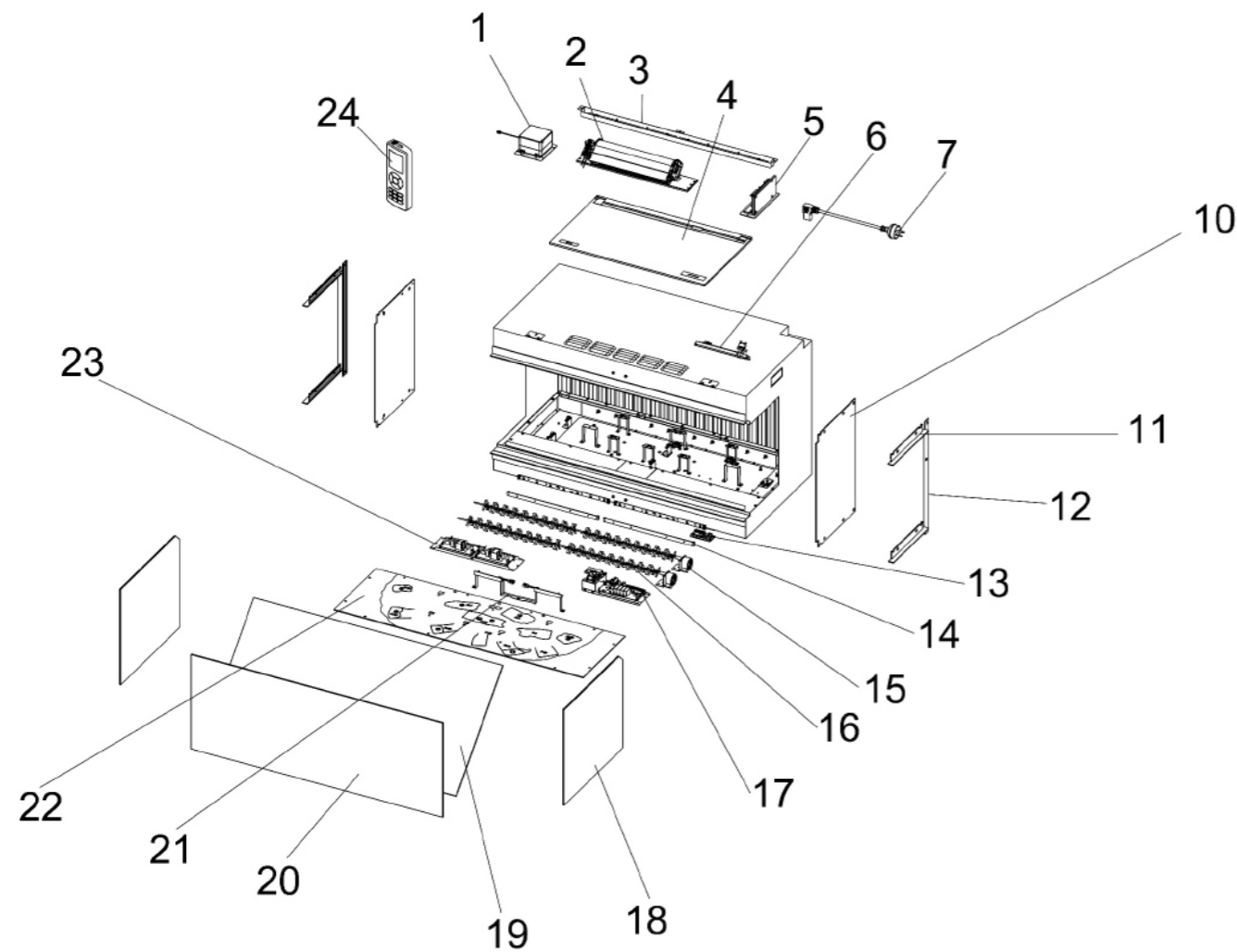


This diagram is provided to assist you to identify parts if replacement is necessary. Contact your place of purchase or the manufacturer to enquire about parts, availability and/or service.



| Ref.    | Description             | Part No. |
|---------|-------------------------|----------|
| 1       | Speaker                 |          |
| 2       | Heater unit             | 17905    |
| 3       | Down light              |          |
| 4       | LCD panel               |          |
| 5       | LCD driver              |          |
| 6       | Manual control panel    |          |
| 7       | 10 A power cord         |          |
| 11 / 12 | Side trim               |          |
| 13      | Log LED PCB             |          |
| 14      | Fuel bed LED board A    |          |
| 15      | Spindle motor           |          |
| 16      | Fuel bed effect spindle |          |
| 17      | Main PCB                |          |
| 18      | Side glass              |          |
| 19      | Flame screen            | 17906    |
| 20      | Front glass             | 17907    |
| 21      | Fuel bed up uplight     |          |
| 22      | Fuel bed panel          |          |
| 23      | Power unit              |          |
| 24      | Remote                  | 17938    |

| FUEL BED SPARES          |          |
|--------------------------|----------|
| Description              | Part No. |
| AI-7 log                 | 17908    |
| AI-8 log                 | 17909    |
| AI-21 log with connector | 17911    |
| AI-23 log with connector | 17912    |
| AI-27 log with connector | 17913    |
| AI-28 log with connector | 17914    |
| AI-29 log with connector | 17915    |
| AI-30 log                | 17916    |
| P-15 log                 | 17917    |
| G-2 log                  | 17918    |

